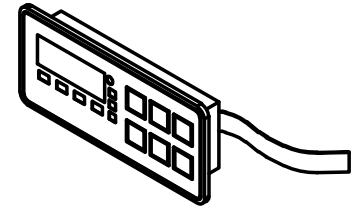
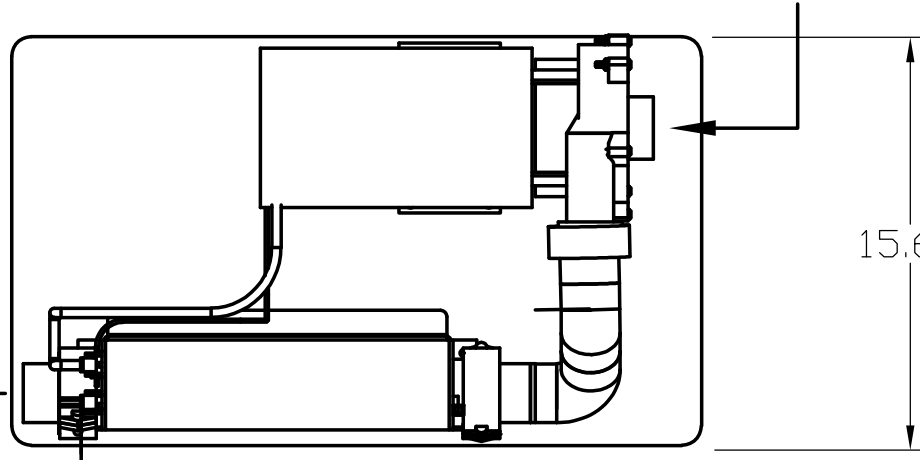


FROM DRAIN & FILTER
CONNECTIONS



15.65

TO JETS

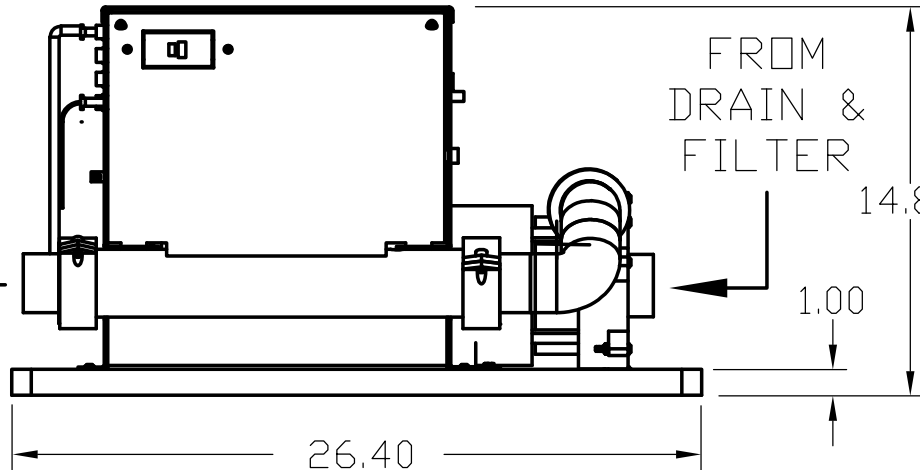


TOP VIEW

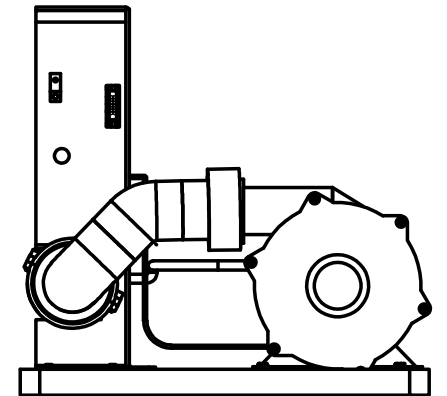
FROM
DRAIN &
FILTER

14.86

TO JETS



FRONT VIEW



SIDE VIEW

